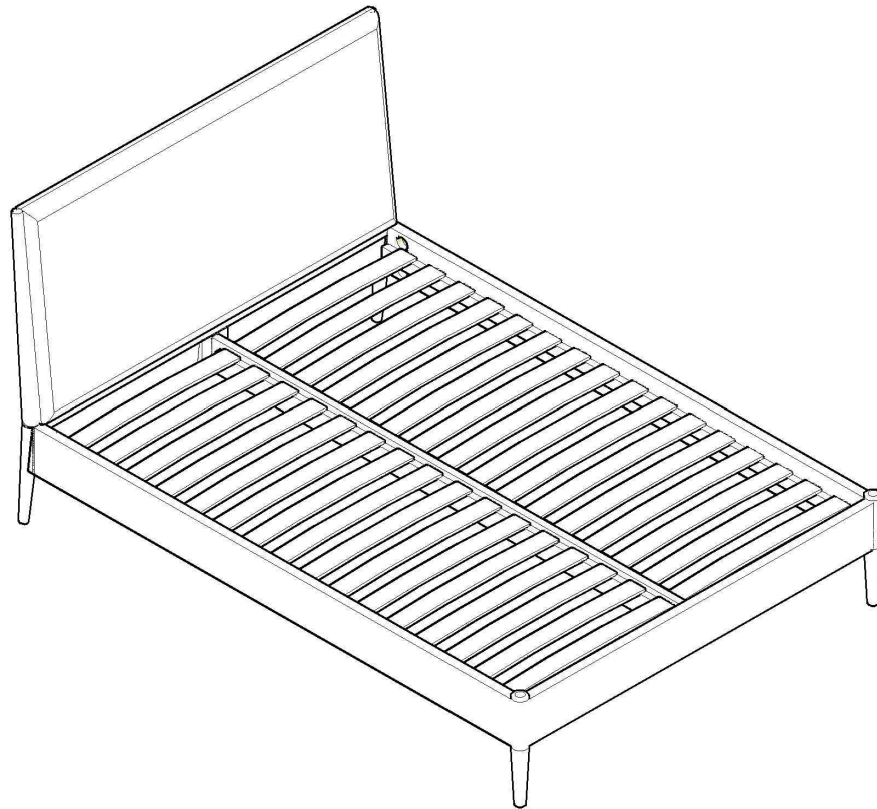


# Salina bed

ercol  
ENGLAND SINCE 1920

## 3890/1 double/kingsize beds

Thank you for purchasing this salina bed. Please read the instructions carefully before use to ensure safe and satisfactory operation of this product.



This item is **HEAVY**



**Necessary Tools**



### Pre-assembly preparation

Please ensure instructions are read in full before attempting to assemble this product

Please check the pack contents before attempting to assemble this product. A full checklist of components is given in this leaflet. If any components are missing, please contact the retailer from whom you bought this product.




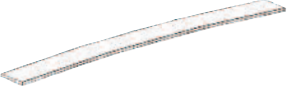
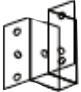




This product is **HEAVY**, it should be assembled as near as possible to the point of use. **TAKE CARE WHEN LIFTING** to avoid personal injury and (or) damage to the product.

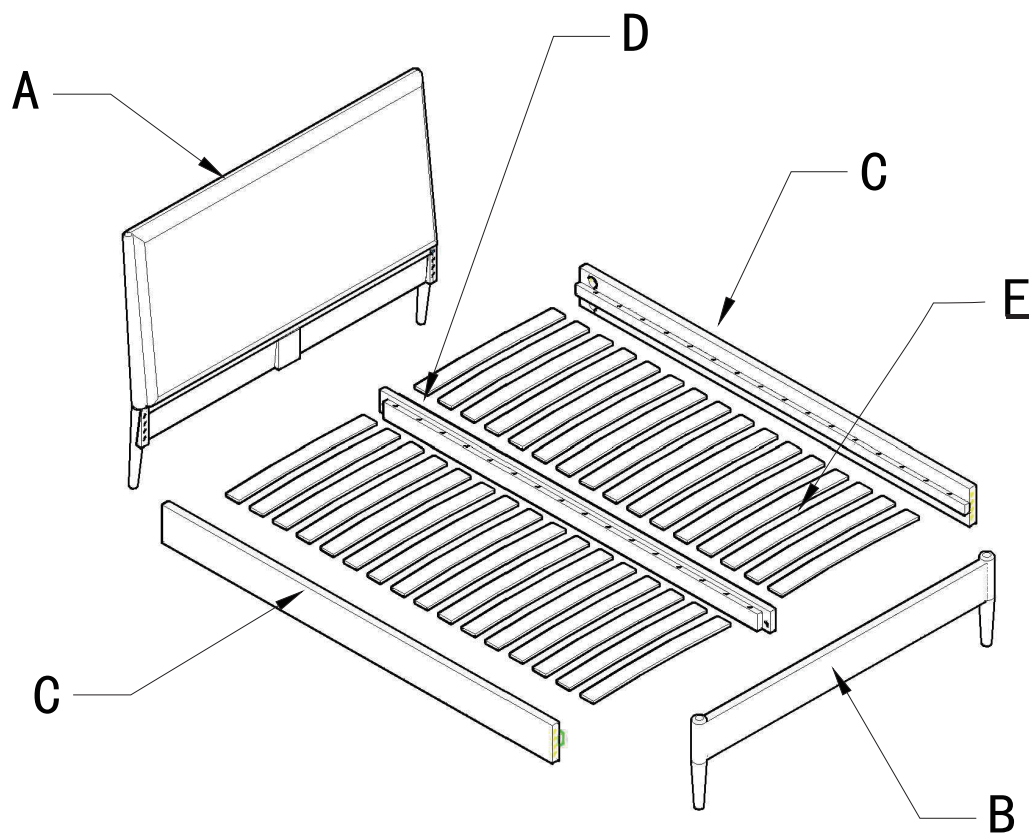
This product takes approximately **40 MINUTES** to assemble with **2 PEOPLE**.

The fittings pack contains **SMALL ITEMS** which should be **KEPT AWAY FROM YOUNG CHILDREN**.

Ref: 1819/3890,3891

## Fittings and parts checklist

A	Headboard x 1	I	Half moon washer x 8 
B	Footboard x 1	J	Dowel x 8
C	Side rails x 2	K	20mm Screws x 12 
D	Centre rail x 1	L	Nuts and bolts x 2 each 
E	Slats double bed x 32 Slats king size x 34 	M	Central brackets x 2 
F	Ends for slats double x 64 Ends for slats king size x 68 	N	Spanner x 1 
H	Threads x 8 	O	Washers x 2 



## Step by step assembly instructions

1. Push the threads H into the headboard and the footboard as shown below.

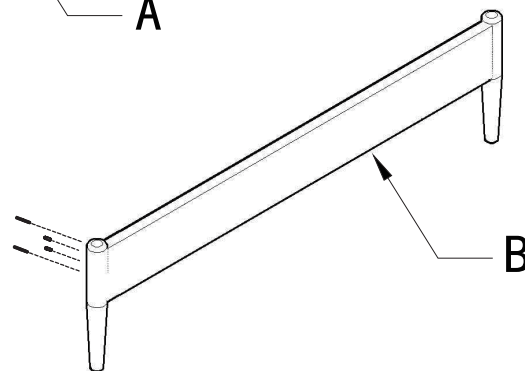
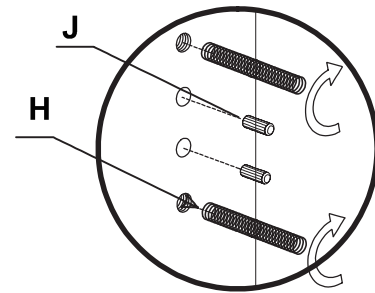
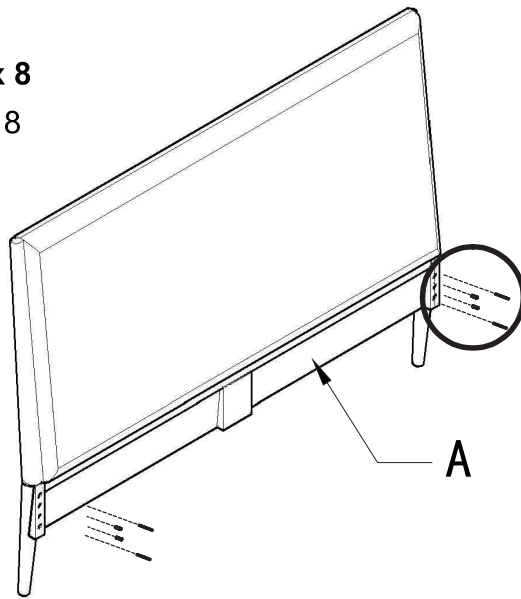
Tighten the threads by hand ensuring that there is approximately half of the threads still showing.

Fittings



H x 8

J x 8



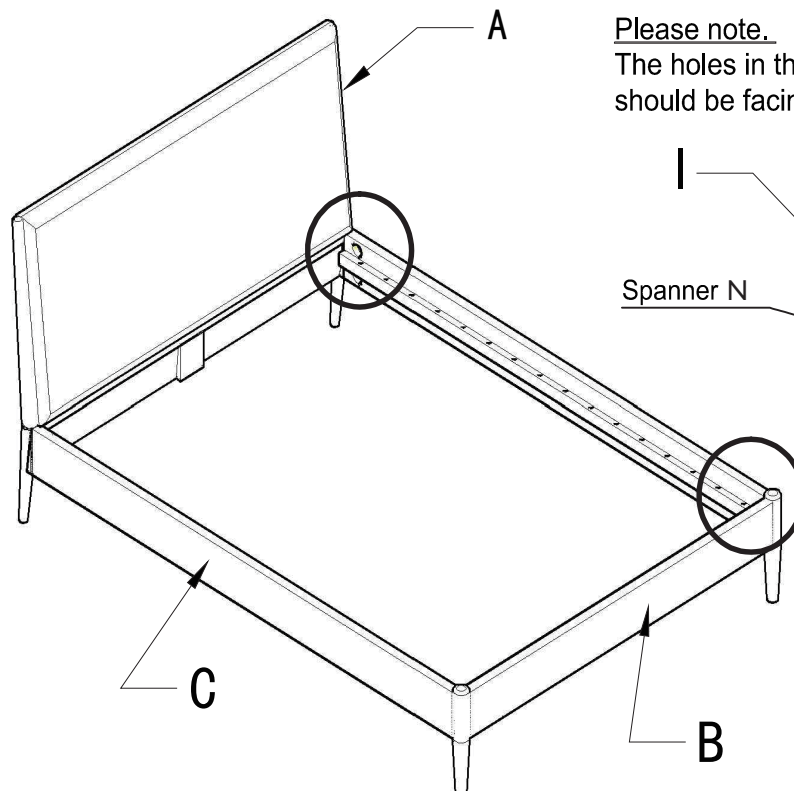
2. Making sure the holes in the side rails, C, are facing upwards, AND you have the Left and Right rails, (see page 2) on the correct sides, locate these side rails onto the protruding threads on the headboard and footboard. As you do this, slide a half moon washer onto the thread when it comes through into the circular hole in the side of the rail, then screw on one of the 8 nuts FINGER TIGHT ONLY. Repeat with the other 3 corners.

Fittings



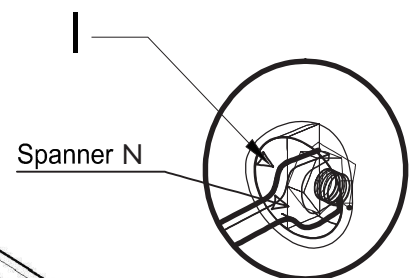
I x 8

N x 1



Please note.

The holes in the slat support rail should be facing upwards.



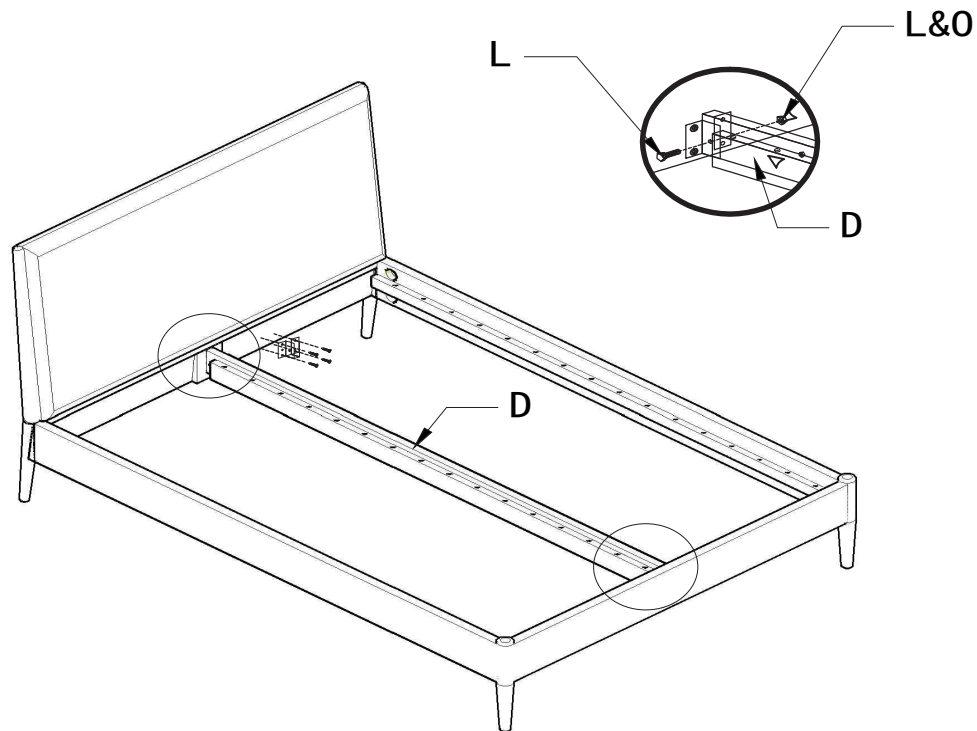
- Using the 12 x 20mm screws, attach the two brackets into the headboard and the footboard using the pre-drilled holes, tighten with a phillips screwdriver.
- Making sure the holes in the centre rail are facing upwards, put the centre rail into the two brackets. Secure it in place using the 2 x 40mm bolts, and the 2 washers and nuts. Once the centre rail is in place, tighten all four corners so they are secured.

**Fittings**



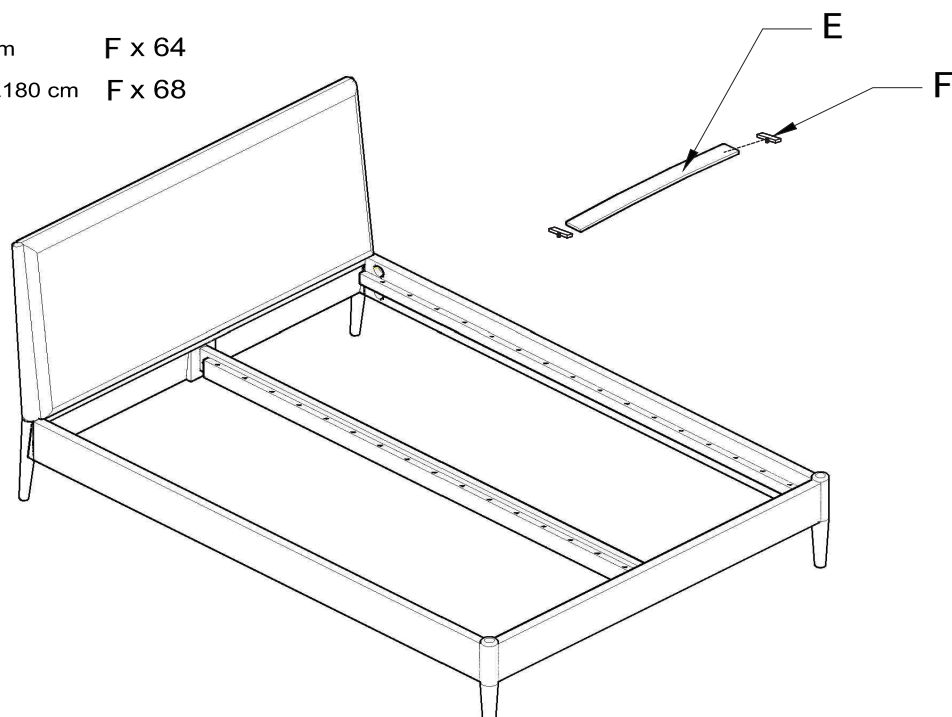
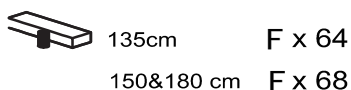
**Please note.**

The holes in the Centre rail should be facing upwards.



- Push a plastic cap onto each end of a slat and with the peg facing downwards push the slat into the pre drilled holes as shown below. Repeat for all the slats.

**Fittings**



**PLEASE KEEP THESE INSTRUCTIONS FOR FUTURE REFERENCE**

Ercol Furniture Ltd, Summerleys Road, Princes Risborough, Buckinghamshire. HP27 9PX [www.ercol.com](http://www.ercol.com)